

General Standard Diodes

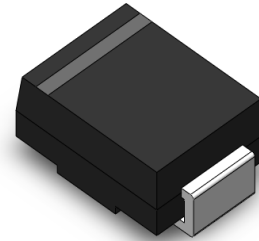
GS2AB~GS2MB
2.0A
50 to 1000V
DO-214AA(SMB)

Features

- u For surface mounted application.
- u Low forward voltage drop.
- u High current capability.
- u High reliability.
- u Plastic Case Material has UL Flammability Classification Rating 94V-0.

Mechanical Data

- u Case: Molded plastic SMB.
- u Terminals: Plated leads solderable per MIL-STD-750, Method 2026 guaranteed.
- u Polarity: Color band dentes cathode end.
- u Mounting Position: Any.


DO-214AA(SMB)

Maximum Ratings and Electrical Characteristics ($T_A = 25^\circ\text{C}$ unless otherwise noted)

Ratings at 25°C ambient temperature unless otherwise specified. Single phase, half wave, 60Hz, resistive or inductive load.
For capacitive load, derate current by 20%.

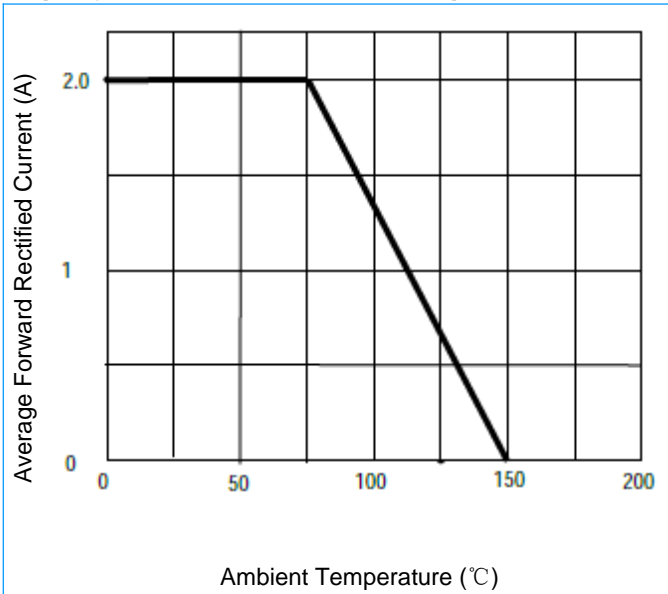
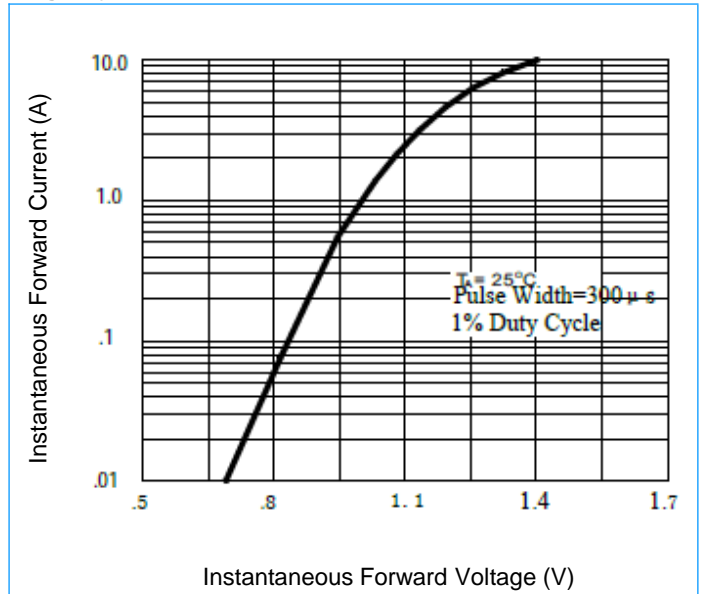
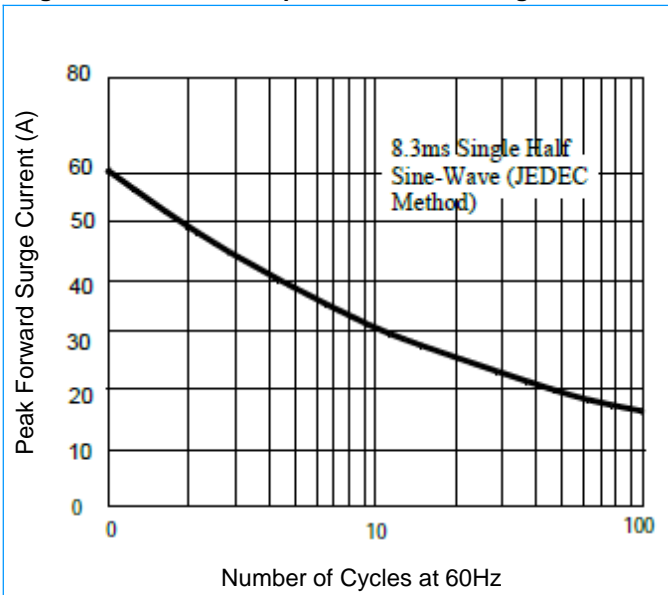
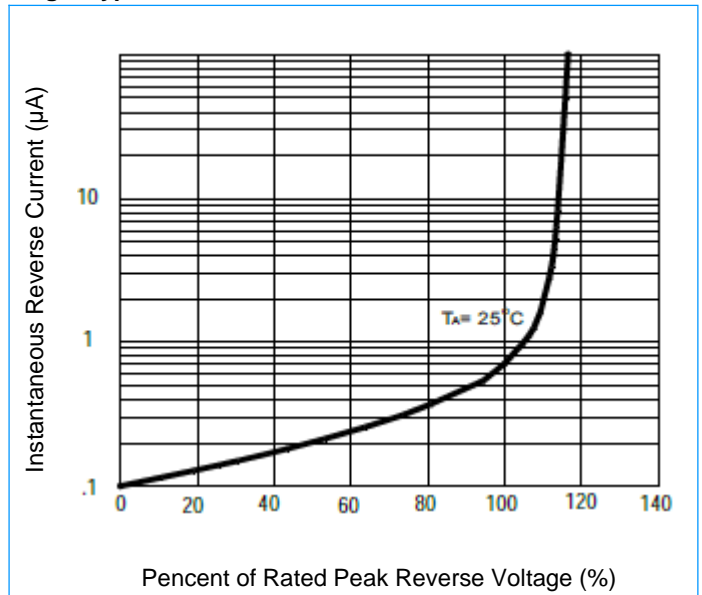
Items	Symbol	GS2AB	GS2BB	GS2DB	GS2GB	GS2JB	GS2KB	GS2MB	Unit	
Maximum reccurent peak reverse voltage	V_{RRM}	50	100	200	400	600	800	1000	V	
Maximum RMS voltage	V_{RMS}	35	70	140	280	420	560	700	V	
Maximum DC blocking voltage	V_{DC}	50	100	200	400	600	800	1000	V	
Average rectified output current @ $T_A=75^\circ\text{C}$	I_o	2.0							A	
Peak forward surge current 8.3ms single half sine-wave superimposed on rated load (JEDEC Method)	I_{FSM}	60							A	
Forward Voltage @ $I_F=2.0A$	V_{FM}	1.1							V	
Peak reverse current at rated DC blocking voltage	$T_A=25^\circ\text{C}$								5	μA
	$T_A=100^\circ\text{C}$								500	
Typical junction capacitance (Note 1)	C_J	30							pF	
Typical thermal resistance junction to ambient (Note 2)	$R_{\theta JA}$	50							$^\circ\text{C/W}$	
Operating temperature range	T_J	-55 to +150							$^\circ\text{C}$	
Storage temperature range	T_{STG}	-55 to +150							$^\circ\text{C}$	

Notes: 1. Measured at 1.0 MHz and applied reverse voltage of 4.0V D.C.
2. Thermal resistance from junction to ambient at 0.375(9.5mm) lead length.

General Standard Diodes

GS2AB~GS2MB
2.0A
50 to 1000V
DO-214AA(SMB)

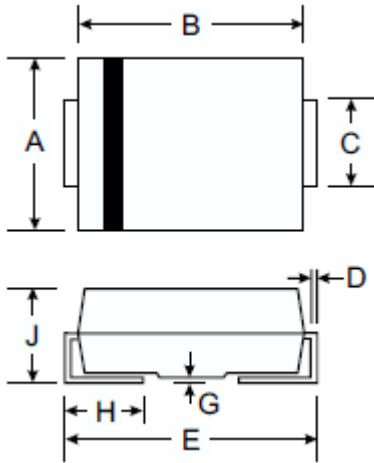
Typical Characteristic Curves

Fig1. Typical Forward Current Derating Curve

Fig2. Typical Instantaneous Forward Characteristics

Fig3. Maximum Non-Repetitive Forward Surge Current

Fig4. Typical Reverse Characteristics


General Standard Diodes

GS2AB~GS2MB
2.0A
50 to 1000V
DO-214AA(SMB)

DO-214AA(SMB) Package Outline (Unit: mm)



Dim	Min	Max
A	3.3	3.94
B	4.06	4.57
C	1.85	2.20
D	0.152	0.305
E	5.21	5.59
G	0.000	0.203
H	0.76	1.52
J	2.10	2.50

Packaging Information

Part Number	Component Package	Quantity
GS2AB~GS2MB	DO-214AA(SMB)	3000 PCS/REEL